

emist

Trigger Switch Replacement Guide

For use with the EM360™ Electrostatic Sprayer



If you need any assistance, please contact our Customer Service Department by calling 888-534-7001 and selecting **Option 3**.



Included



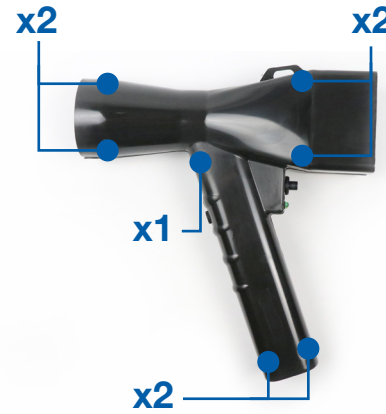
Tools You'll Need

Before you start

Included in this kit: New trigger and wiring harness

Tools Needed:

- T10 Star Driver with a minimum 6-inch shaft
- T15 Star Driver with a minimum 6-inch shaft



x7



Total

STEP 1

Wand Disassembly - Side

Place the wand on a flat surface with the screw holes facing upwards. Using the T10 Star driver, remove the 7 screws holding the wand together.



Total

STEP 2

Wand Disassembly - Front

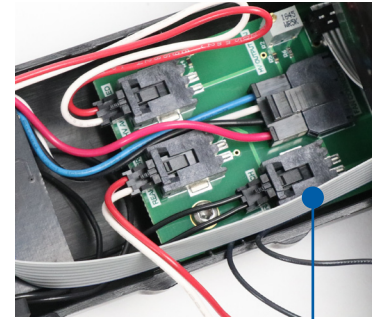
Turn the wand opening towards you and remove only the top 2 screws using the T10 star driver.



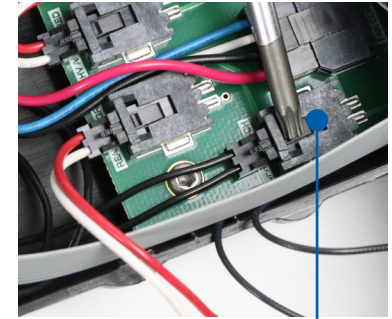
STEP 3

Wand Disassembly - Back

With the wand still lying on its side, rotate it so that the fan is facing you and remove **only** the **top** 2 screws from the fan guard using the T15 Star driver.



Trigger Switch Plug



Use Tool to Depress

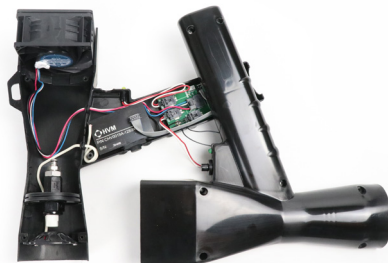
STEP 5

Current Trigger Switch Removal

Remove the trigger switch from the wand half and then, using a small screw driver or one of the screws you removed earlier, gently depress the locking mechanism that plugs the wires of the trigger switch into the board and remove the switch.



Before

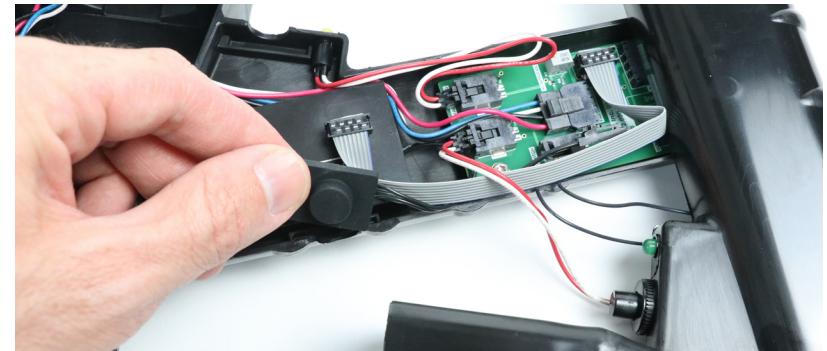


After

STEP 4

Wand Separation

Once all the screws are removed, gently separate the top portion of the wand from the bottom. Keep in mind that the 2 halves are also connected by wires so do not try and completely pull them apart, instead slide the top half over to the side.



STEP 6

New Trigger Switch Installation

Plug the new trigger switch into the board and place into the slot that holds the trigger in place.

When finished, reassemble the unit by following the reverse order of the disassembly instructions.